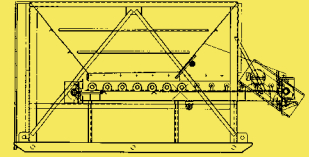




**BALZER
PACIFIC
EQUIPMENT CO**



SF-12 Surge Feeder



Standard Features

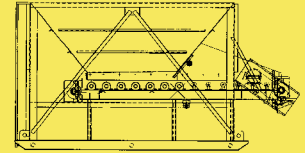
- ★ 12 cu. yard struck capacity, 15 cu. yard heaped capacity
- ★ Feed Rate 150-500 TPH
- ★ Heavy reinforced 3/8" steel plate hopper
- ★ 14'x10' Top opening
- ★ Manually adjusted flow regulation gate
- ★ Wide flange beam skid
- ★ Tubular skid bracing
- ★ 36" Under conveyor with 5" diameter impact rolls under hopper
- ★ Reeves manual variable speed drive with adjustable motor base
- ★ 7.5 HP TEFC motor with Dodge TXT 525 torque arm reducer
- ★ 12" Lagged head pulley, 12" wing tail pulley
- ★ 3/16"x1/16" 3-ply belt

Dimensions: 17'10"L x 10'W x 10'H

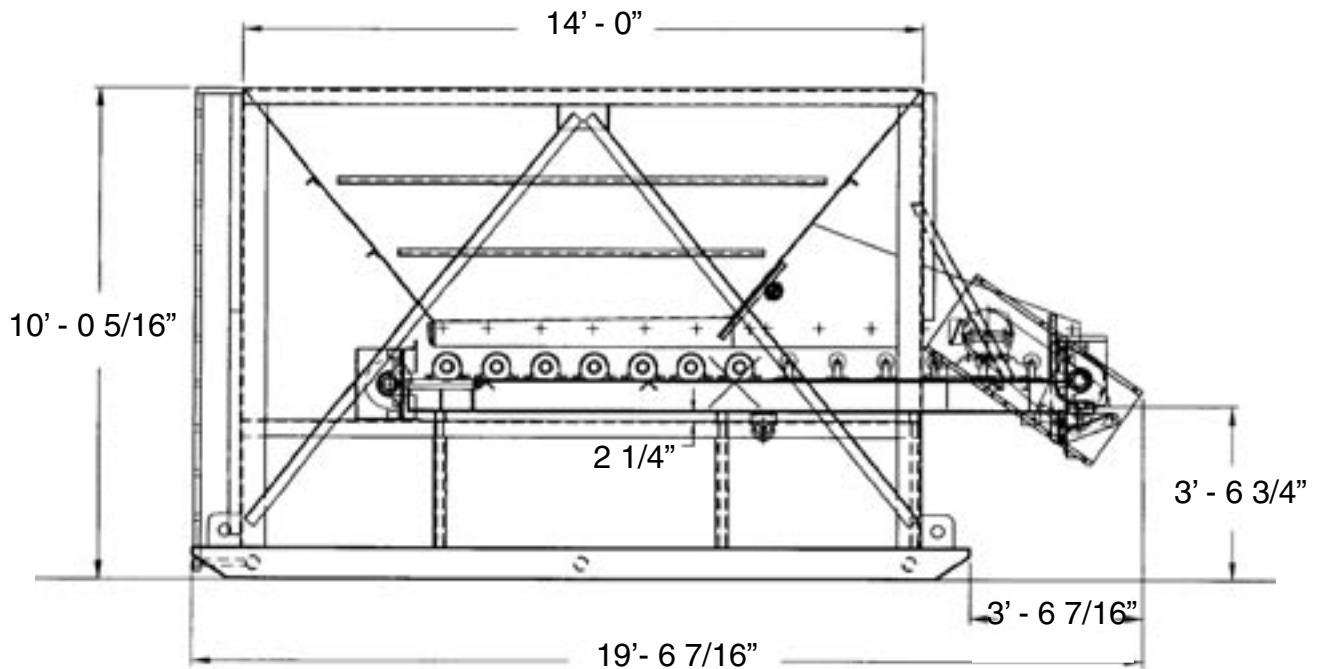
Weight: 11,500 lbs.



**BALZER
PACIFIC
EQUIPMENT CO**



SF-12 Surge Feeder



OPTIONS

HYDRAULIC GRIZZLY PORTABLE MOUNTING REMOTE OPERATION

**LIVE SHAFT IMPACT ROLLS WITH INDIVIDUAL
PILLOW BLOCK BEARINGS
FOR COARSE FEED APPLICATIONS**

Portland, OR

2136 S.E. 8th Avenue
Portland, OR 97214
Tel: (503) 232-5141
Fax: (503) 232-9556
Toll Free: 800-442-0966
portland@balzerpacific.com

Auburn, WA

4168 B Place NW
Auburn, WA 98001
Tel: (253) 867-5950
Fax: (253) 867-5959
Toll Free: 800-535-0307
washington@balzerpacific.com

Sacramento, CA

2423 Sellers Way
W. Sacramento, CA 95691
Tel: (916) 372-3500
Fax: (916) 372-3535
balzercal@aol.com

Fontana, CA

14563 Manzanita Drive
Fontana, CA 92335
Tel: (909) 434-0186
Fax: (909) 434-0198
Toll Free: 866-962-4700
balzer@balzerpacific.com

www.balzerpacific.com