

Stackable Conveyor



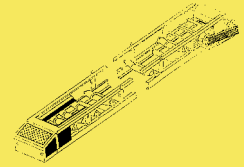
Standard Features:

- ★ Side mounted motor with v-belts to shaft mounted speed reducer
- ★ One-piece welded reinforced 10" channel frame with overhead truss
- ★ Full-length lateral bracing
- ★ Goodman CEMA B-C style troughing idlers (with option for sealed roller bearings "CSL" style), 35° Goodman idlers,
- ★ 20° Goodman idlers at transition points
- ★ Rubber disc return idlers
- ★ Receiving hopper with rubber flashing
- ★ 12" self-cleaning wing-type tail pulley
- ★ 14" rubber lagged head pulley
- ★ Dodge "E" roller bearings
- ★ Fully enclosed drive belts
- ★ Three-ply conveyor belting
- ★ Screw-type belt take-up adjustment located in channel frame under loading hopper

Conveyor Size	24"	30"	36"	42"
Motor: 1800 RPM TEFC	7.5 HP	10 HP	15 HP	20 HP
Dodge Reducer	TXT-215	TXT-315	TXT-415	TXT-515
Approx. Weight	4,790 lbs.	5,200 lbs.	6,660 lbs.	8,580 lbs.
Nominal Capacity at 18°				
7' Discharge Height	380 TPH	650 TPH	900 TPH	1,200 TPH
15' Discharge Height	300 TPH	480 TPH	600 TPH	800 TPH

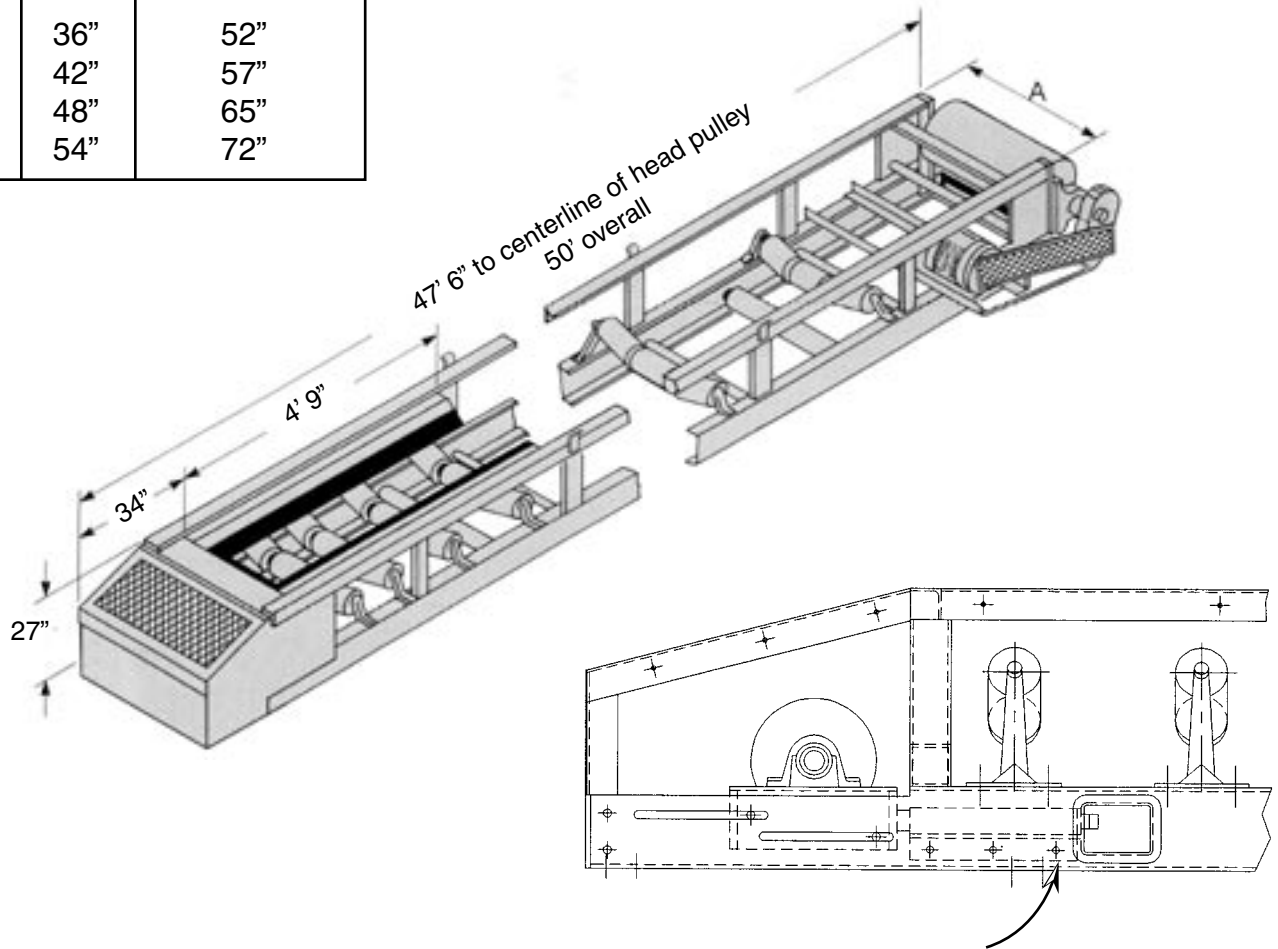


**BALZER
PACIFIC
EQUIPMENT CO**



Stackable Conveyor

Belt Size	Width	Overall Width with Drive
24"x50'	36"	52"
30"x50'	42"	57"
36"x50'	48"	65"
42"x50'	54"	72"



**Balzer Easy Adjust
TAKE-UP**

Portland, OR

2136 S.E. 8th Avenue
Portland, OR 97214
Tel: (503) 232-5141
Fax: (503) 232-9556
Toll Free: 800-442-0966
portland@balzerpacific.com

Auburn, WA

4168 B Place NW
Auburn, WA 98001
Tel: (253) 867-5950
Fax: (253) 867-5959
Toll Free: 800-535-0307
washington@balzerpacific.com

Sacramento, CA

2423 Sellers Way
W. Sacramento, CA 95691
Tel: (916) 372-3500
Fax: (916) 372-3535
balzercal@aol.com

Fontana, CA

14563 Manzanita Drive
Fontana, CA 92335
Tel: (909) 434-0186
Fax: (909) 434-0198
Toll Free: 866-962-4700
balzer@balzerpacific.com

www.balzerpacific.com